

Tray Dispensers

Single or Double

ALLIANCE



1-800-522-3973

Specifications

- Stainless steel is nickel-bearing, 200 series minimum. This material is NSF recognized for corrosion resistance.
- 16 gauge stainless steel platform
- 16 gauge stainless steel shelf
- 18 gauge stainless steel top deck
- 18 gauge stainless steel body panels
- Corner bumpers for protection
- Two rubber coated push handles for convenience
- (4) 5" non-marking poly swivel casters - 2 with brake
- Can be manufactured to fit any size tray
- Stainless steel springs can be added or removed for adjustability



Tray Dispenser Single

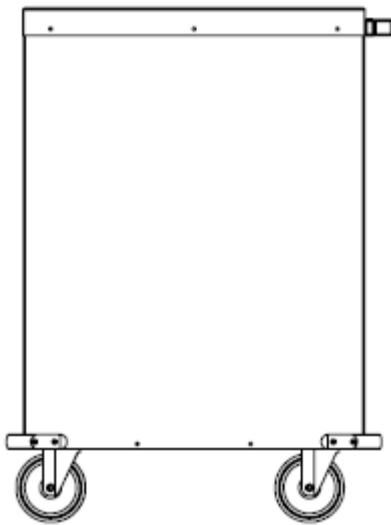


Customization is available

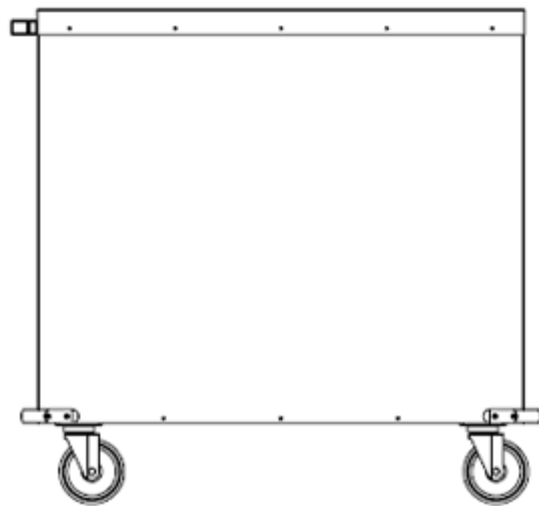
Dimensions of Previous Models

Model	Overall Size			Casters	
	W	D	H	Type	Dia.
TDS1418 TDS1520	21 7/8"	27 1/4"	37 3/8"	4 swivel 2 w brake	5"
TDD1418 TDD1520	40"	27 1/4"	38 5/16"	4 swivel 2 w brake	5"

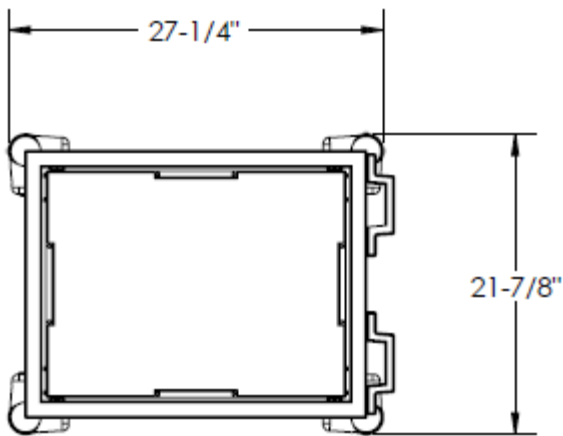
Drawings



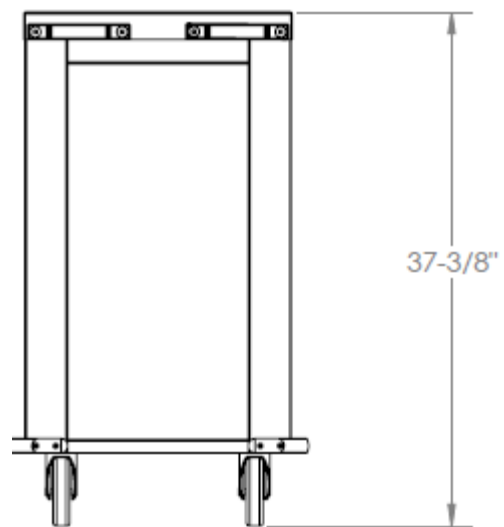
Tray Dispenser Single



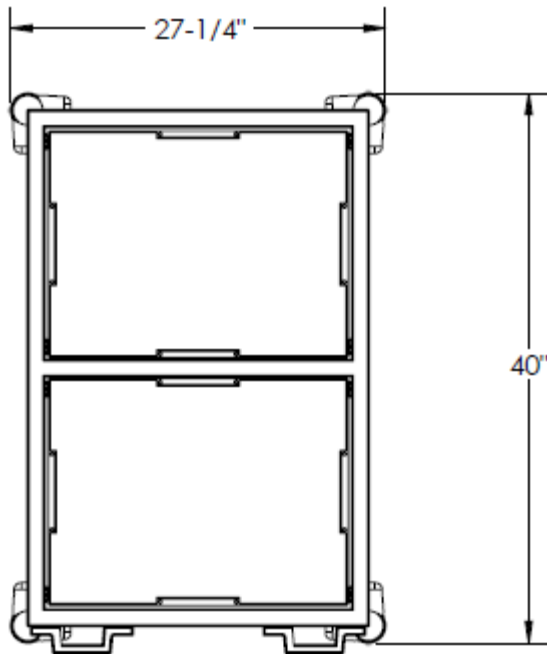
Tray Dispenser Double



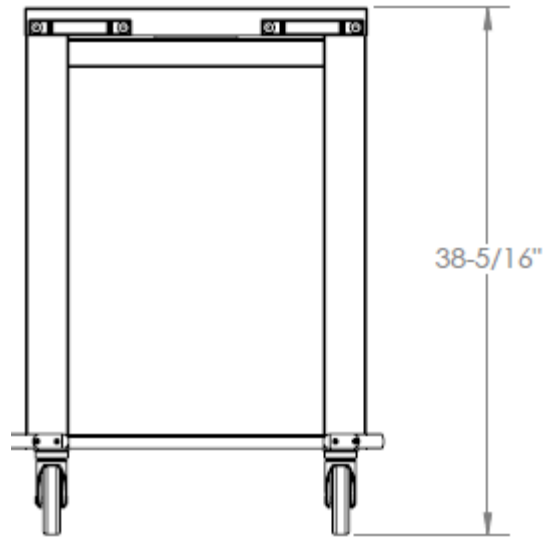
TDS1418
TDS1520



TDS1418
TDS1520



TDD1418
TDD1520



TDD1418
TDD1520

© 2011 Alliance Products, LLC
820 Esther Lane | Murfreesboro, TN 37129
1.800.522.3973 toll free
615.895.5333 phone
615.895.5334 fax